



AQUARION[®] HEATED SELF-CONTAINED CARTRIDGE FED EYEWASH

PART NUMBER: AQ100H130

SPECIFICATION:

Third party certified to ANSI Z358.1, the self-contained gravity fed eyewash shall deliver a non-injurious dual stream of water at a minimum volume of 0.4 gpm (1.5 lpm) for a full 15 minutes or longer. The eyewash heads are integral in an enclosed tray that provides protection against airborne contaminants when the eyewash is in a ready, non-activated state. When activated the pull down tray goes to a fixed, stay open position that allows full user access to the dual streams of fluid and channels spent fluids to a discharge port where an optional drain tray can be provided. Unit stores two cartridges (sold separately) of saline flushing fluid stored in a yellow polyethylene housing that is noncorrosive by the flushing fluid. The highly visible, yellow ABS eyewash incorporates front graphics to indicate activation method, maintenance and operational information. Housing contains internal 120v heating unit and external insulated jacket with snap closure to retain heat.

Encon Safety Products Model AQ100H130 includes heated self-contained eyewash unit (cartridge sold separately).

Cartridges (sold separately)

Encon Safety Products Model AQ120S includes two 3.7 gallon sterilized saline cartridges.

Encon Safety Products Model AQ110 includes two 3.7 gallon sterile saline cartridges. (Available only in Canada).

***Note:** Where hazardous materials that are injurious to the skin are used, a proper eyewash or eye/facewash installation with an emergency shower should be considered.

MATERIALS OF CONSTRUCTION:

HOUSING: Holds up to two, 3.7-gallon sterilize saline solution cartridges.

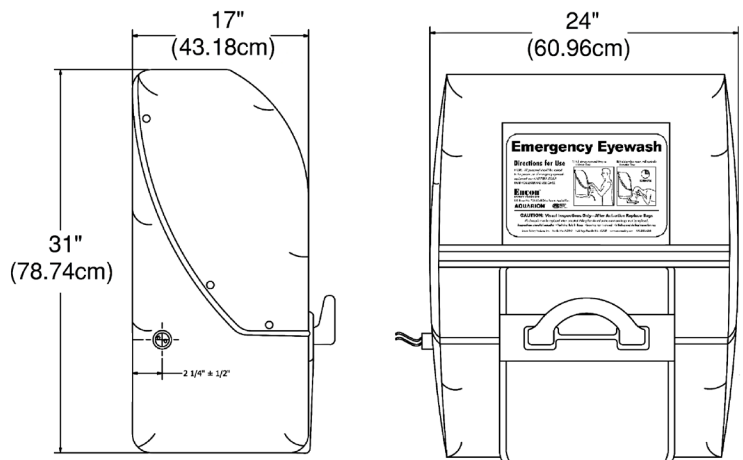
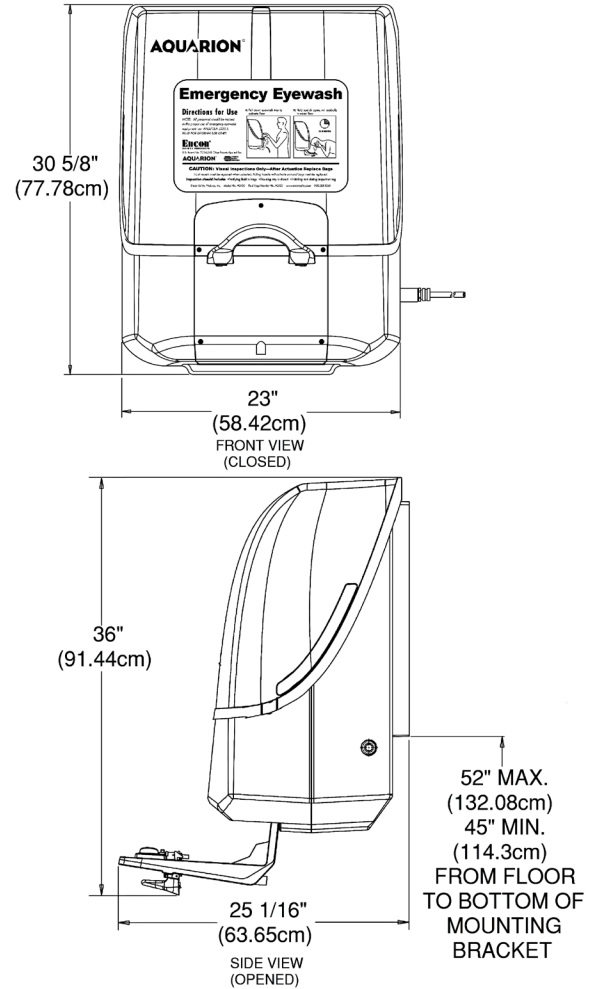
HEAD: ABS plastic dual stream heads to be installed directly into the eyewash tray.

HEATER: Internal 120v heater w/ heat shield.

POWER: 11ft (3.35m) 16/3 Type, SOWA/SOOW cord.

JACKET: Removable high visibility yellow, insulated cover with snap closure.

WEIGHT: 23 lbs (10.43 kgs) shipping weight. 75 lbs (34 kgs) full-use weight with two cartridges installed (sold separately)



SHOWN WITH INSULATED JACKET