



12.5" SWING-AWAY™ COUNTER-TOP EYEWASH

PART NUMBER: 01040127

SPECIFICATION:

Third party certified to ANSI Z358.1, the eyewash shall deliver 2.4 gpm (9.1 lpm) @ 30/70 psi (206.8/482.6 kPa) of flowing pressure. Unit shall provide a non-injurious stream of water for 15 minutes or longer. Unit shall be supplied with 1/2" chrome plated (CP) single motion activation stay open valve. Unit shall include right hand countertop mounted (or left hand counter top mounted by reversing the swing stop) actuator with actuation graphic and 7" x 11" (17.8cm X 27.9cm) sign. Unit shall have SWING-AWAY™ 12 1/2" (31.75cm) arm assembly to swivel eyewash 4" (10.16cm) over sink. Unit shall be supplied with self-adjusting 2.4 gpm (9.1 lpm) regulator to assure a constant and even dual stream flow pattern under 30/70 psi (206.8/482.6 kPa) hydraulic conditions. Eyewash heads with integral hinged covers to be manufactured of solvent resistant acetal mounted on a chrome plated brass wye. Eyewash covers are provided to inhibit dust and/or contamination when not in use. Eyewash units with deteriorating screens/filters are not acceptable. **Encon Safety Products Model 01040127** includes 12 1/2" SWING-AWAY™ counter-top eyewash.

***Note:** Where hazardous materials that are injurious to the skin are used, a proper eyewash or eye/facewash installation with an emergency shower should be considered.

MATERIALS OF CONSTRUCTION:

VALVE: Polished chrome plated brass integral swivel valve.

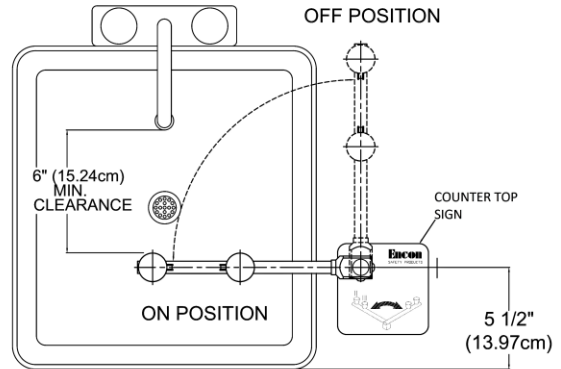
PIPING: Polished chrome plated brass.

HEADS: Acetal dual stream heads with integral hinged covers and chrome plated brass wye assembly.

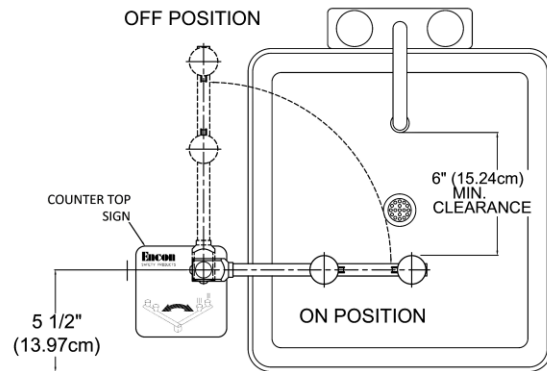
REGULATOR: Self-adjusting (2) 1.2 gpm (4.5 lpm) regulators.

SUPPLY: 1/2" NPT

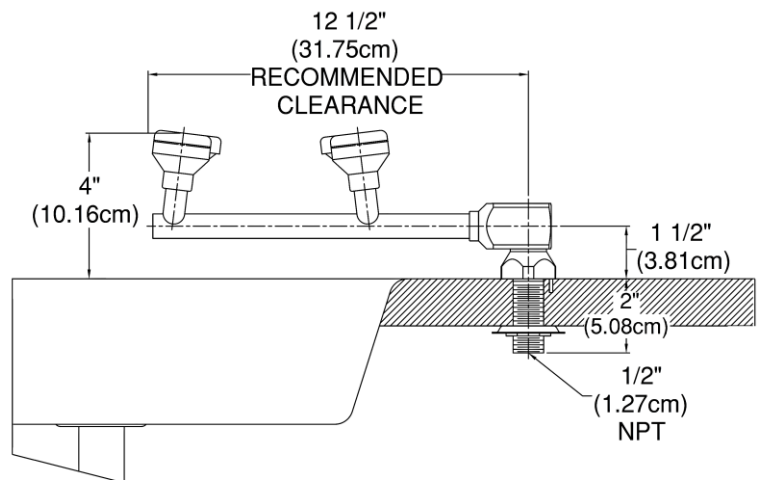
WEIGHT: 4 lbs (1.841 kgs)



TOP VIEW
RIGHT HAND
MOUNTING LOCATION



TOP VIEW
LEFT HAND
MOUNTING LOCATION



FRONT VIEW