



COUNTER-TOP PULLDOWN EYEWASH

PART NUMBER: 01040130

SPECIFICATION:

Third party certified to ANSI Z358.1, the eyewash shall deliver 2.4 gpm (9.1 lpm) @ 30/70 psi (206.8/482.6 kPa) of flowing pressure. Unit shall provide a non-injurious stream of water for 15 minutes or longer. Unit shall be supplied with ½” chrome plated (CP) single motion activation stay open valve. Valve provides quick operation with a positive stop. Unit shall include upper right or left hand countertop mounted actuator with actuation graphic and 7” X 11” (17.8cm X 27.9cm) sign. Unit shall have a 13 7/8” (35.2cm) pull down arm assembly for use over the sink. Unit must be supplied with self-adjusting 2.4 gpm (9.1 lpm) regulator to assure a constant and even dual stream flow pattern under 30/70 psi (206.8/482.6 kPa) hydraulic conditions. Eyewash heads with integral hinged covers to be manufactured of solvent resistant acetal. Eyewash covers are provided to inhibit dust and/or contamination when not in use. Eyewash units with deteriorating screens/filters are not acceptable. **Encon Safety Products Model 01040130** includes counter-top pull down eyewash.

***Note:** Where hazardous materials that are injurious to the skin are used, a proper eyewash or eye/facewash installation with an emergency shower should be considered.

MATERIALS OF CONSTRUCTION:

VALVE: Polished chrome plated brass integral swivel valve.

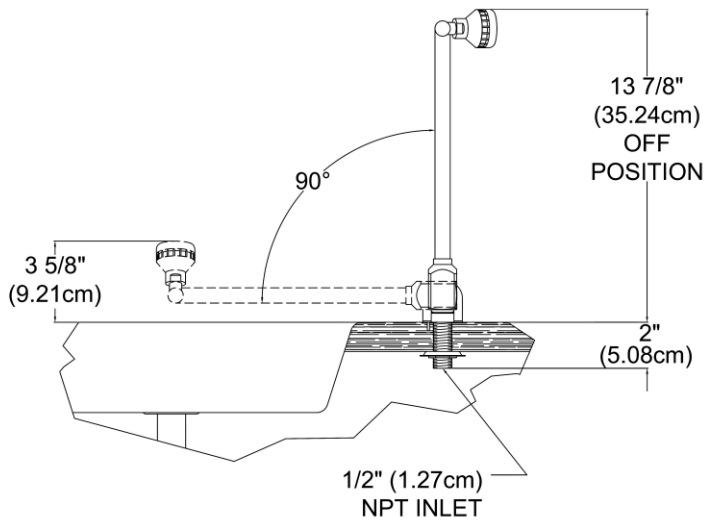
PIPING: Polished chrome plated brass.

HEADS: Acetal dual stream heads with integral hinged covers.

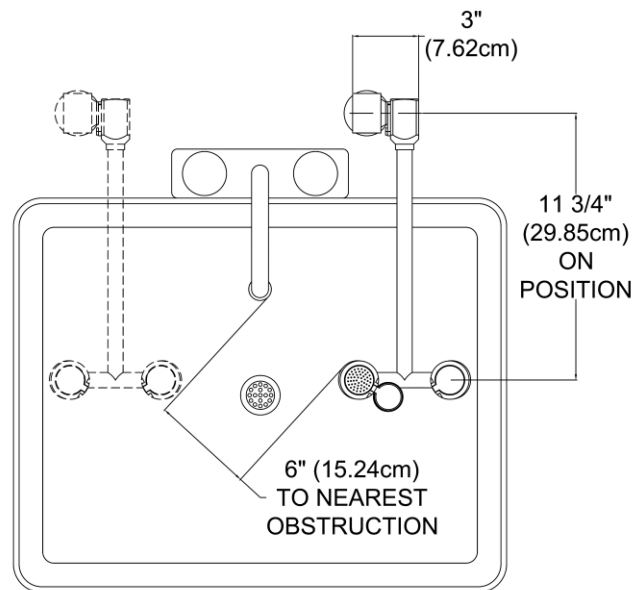
REGULATOR: Self-adjusting (2) 1.2 gpm (4.5 lpm) regulators.

SUPPLY: ½” NPT

WEIGHT: 5 lbs (2.27 kgs)



SIDE VIEW



TOP VIEW