

Encon[®]
SAFETY PRODUCTS
1-800-283-6266
 phone: (713) 466-1449
 email: customerservice@enconsafety.com

**PRESSURIZED SELF-CONTAINED
 PORTABLE EYEWASH**
 PART NUMBER: 01103002T

SPECIFICATION:

Third party certified to ANSI Z358.1, the self-contained eyewash shall deliver a non-injurious dual stream of water at a minimum volume of 0.4 gpm (1.5 lpm) for a full 15 minutes or longer. Eyewash is supplied with a single motion, stay open push plate activated ½” ball valve. Unit shall supply a minimum of six gallons of useable water from a 13.5 gallon stainless steel vessel equipped with carrying handles to easily accommodate eyewash relocation. A relief valve is included to assist in preventing over-pressurization and a custom-faced gauge is provided to monitor internal tank pressure. The eyewash includes a self-adjusting 0.4 gpm (1.5 lpm) regulator to assure constant, even flow through UV resistant ABS plastic eyewash heads. The fixed dual stream eyewash heads function with ABS float off covers secured with stainless steel bead chains provided to inhibit dust and/or contamination when not in use. Highly visible graphics are included on the eyewash push plate to indicate activation method. Maintenance and operation information is visibly displayed on the vessel side.

Eyewash shall be Encon Safety Products Model 01103002T. For dolly cart with closure straps, order Encon Safety Products Model 01105003 (in addition to Model 01103002T).

MATERIALS OF CONSTRUCTION:

PIPING: ½” Chrome plated brass.

VALVES: ½” Chrome plated bronze stay open ball valve with chrome plated ball, stainless steel valve stem and stainless steel push plate with actuation graphic.

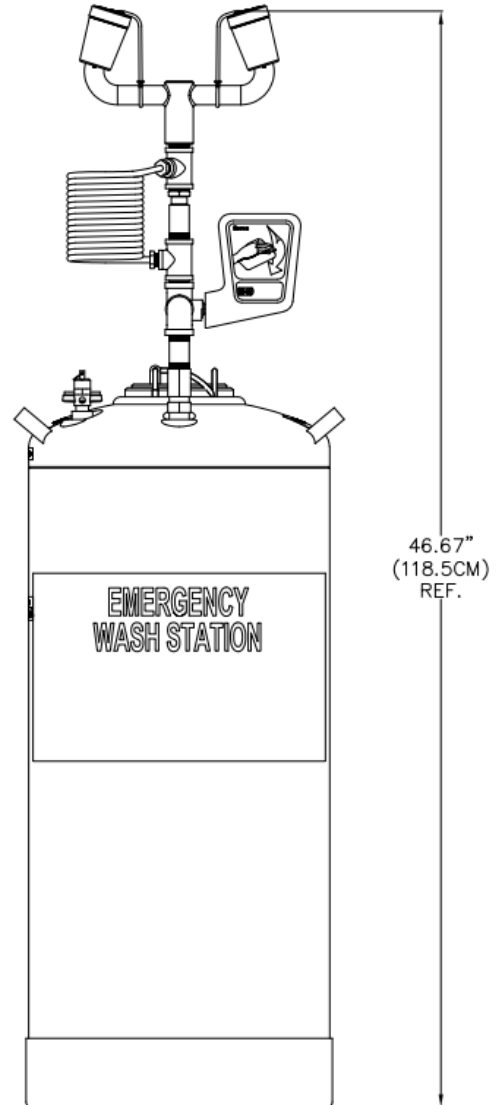
EYEWASH HEAD: ABS plastic dual stream heads with ABS plastic pop off covers secured with stainless steel bead chains.

REGULATOR: Self-adjusting 0.4 gpm (1.5 lpm) eyewash regulator.

VESSEL: Type 304 Stainless Steel.

WATER TREATMENT ADDITIVE: 1 Bottle of Hydrosep® shipped with each unit. Treats 5 to 20 gallons (18.9 l to 75.7 l) of potable water up to 120 days.

WEIGHT: 32 lbs (14.5 kgs)



FRONT VIEW