



1-800-283-6266

phone: (713) 466-1449

email: customerservice@enconsafety.com

CASCAIDE® WALL MOUNTED SHOWER PART NUMBER: CC1000

SPECIFICATION:

Third party certified to ANSI Z358.1, the shower shall deliver 30 gpm (113.56 lpm) @ 30/70 psi (206.84/482.63 kPa) of flowing pressure. Shower shall provide a non-injurious stream of water for 15 minutes or longer. Unit shall be supplied with 1" nickel chrome plated (NCP) single motion activation stay open ball valve with CP ball, SS actuator, and 1" supply connection. Shower head shall be supplied with self-adjusting 30 gpm (113.56 lpm) regulator to assure a constant flow and pattern under 30/70 psi (206.84/482.63 kPa) hydraulic conditions. Shower head to be manufactured of UV resistant high visibility yellow ABS plastic. Shower head must deliver a minimum of 20" (50.80 cm) diameter pattern to the target area 60" (152.40 cm) above standing level.

Shower units that provide improper flow pattern are not acceptable.

MATERIALS OF CONSTRUCTION:

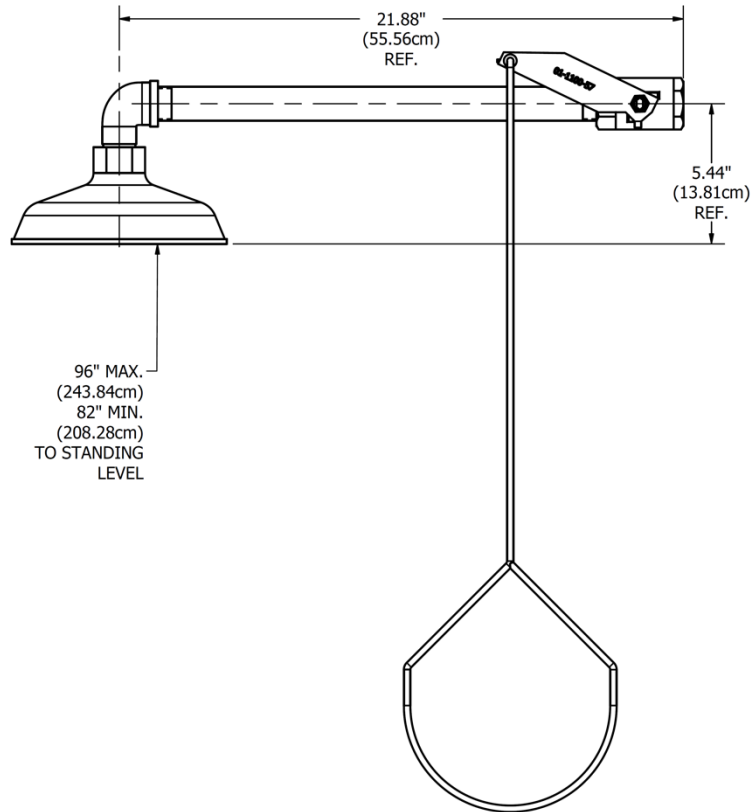
PIPING: Schedule 40 hot dip galvanized steel.

VALVE: 1" nickel chrome plated stay open ball valve with chrome plated ball, stainless steel valve stem and stainless steel pull rod assembly.

SHOWERHEAD: Yellow ABS plastic shower head.

REGULATOR: Self-adjusting 30 gpm (113.56 lpm) regulator.

SUPPLY: 1" NPT



Doc. No: CC1000.2
Issue Date: 10/30/14
Sec: Showers

Visit our website: www.enconsafety.com
© 2026 Encon Safety Products

ANSI CERTIFIED